

COMPATIBILITY GUIDE

ROVAL SCS SYSTEM FOR SPECIALIZED SCS ROAD DISC FRAMES



2015 and newer road disc bicycle frames compatible with the new SCS (Short Chain Stay) system require the use of both an SCS rear hub and SCS derailleur hanger. The SCS system allows for the use of the latest road disc brake technology while retaining short chainstays, high wheel stiffness and proper chainline.

STANDARD 130MM (ROAD HUB)

- Fits 130mm road non-disc frames
- Should be used with standard derailleur hanger
- Actual hub width dimensions (11spd): 131mm

SPECIALIZED SCS 135MM HUB (ROAD DISC)

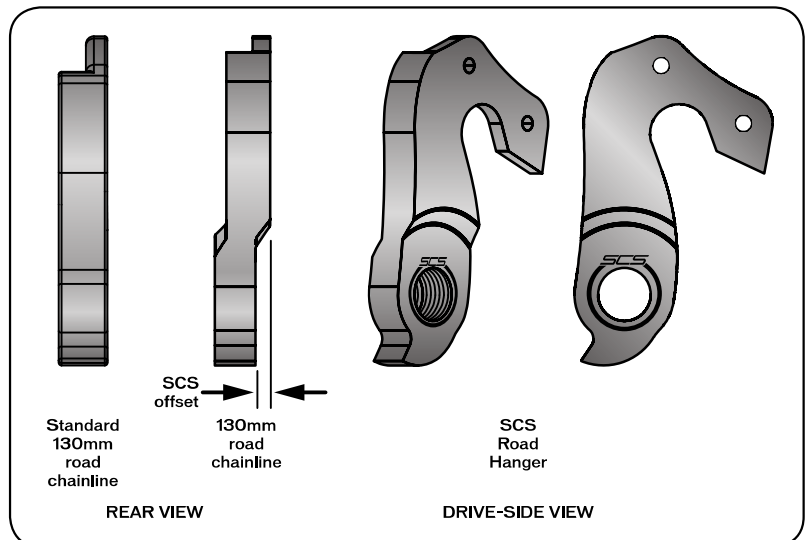
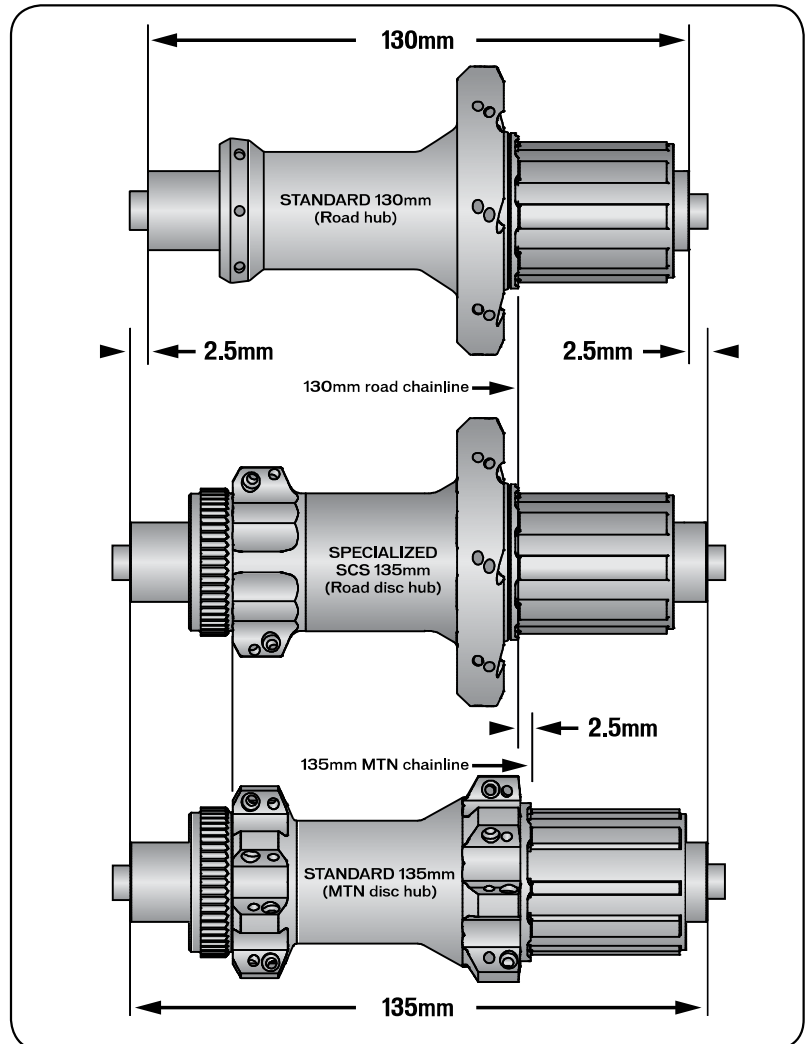
- Fits 135mm SCS system-compatible road disc frames
- 135mm hub spacing allows for use of disc brakes, while SCS spacing provides standard 130mm cassette spacing for optimal chain line
- Uses an SCS rear derailleur hanger (see below)
- Actual hub width dimensions (11spd): 136.5mm

STANDARD 135MM (MTN DISC HUB)

- Fits 135mm MTN disc frames and non-SCS system road disc frames
- Not recommended for use on SCS system frames due to chainline tolerance specifications
- Uses a standard rear derailleur hanger
- Actual hub width dimensions (11spd): 136mm

SCS DERAILLEUR HANGER

- 2.5mm offset provides optimal chainline when used with a Specialized SCS 135mm road disc hub on an SCS system-compatible frame
- Laser-etched with 'SCS', for easy identification



SPECIALIZED BICYCLE COMPONENTS

15130 Concord Circle, Morgan Hill, CA 95037 (408) 779-6229
0000040845_CG R1, 05/14

Please note all instructions and notices are subject to change and updates without notice. Please visit www.specialized.com for periodic tech updates. Feedback: techdocs@specialized.com